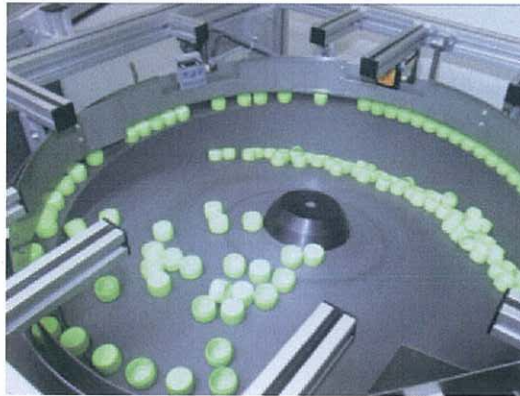


Technical Information 407

Centrifugal Feeder ZBV-ZF



Advantages of application:

- High feeding capacity: >2000 parts/min.
- Low-noise level: < 72 db(A)
- Careful transport of parts
- Minor floor space required

Fields of application:

- Packaging technique
- Pharmaceuticals / cosmetic industry
- Medical technique
- Plastics / metal industry

Sequence of function:

The parts are conveyed in small amounts by means of a hopper onto the turning centrifuge plate. Varying peripheral speeds of the centrifuge pot as well as -plate are achieved by the continuous speed control. Depending upon mass of the parts, which have to be supplied different centrifugal forces, are created. Hereby the parts are supplied in the desired quantity, and – by the means of sort chicaneries – always in the correctly pre-determined position.

Outlet direction:

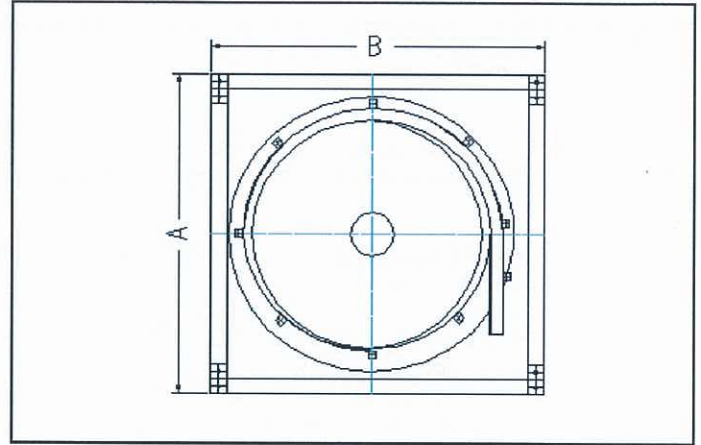
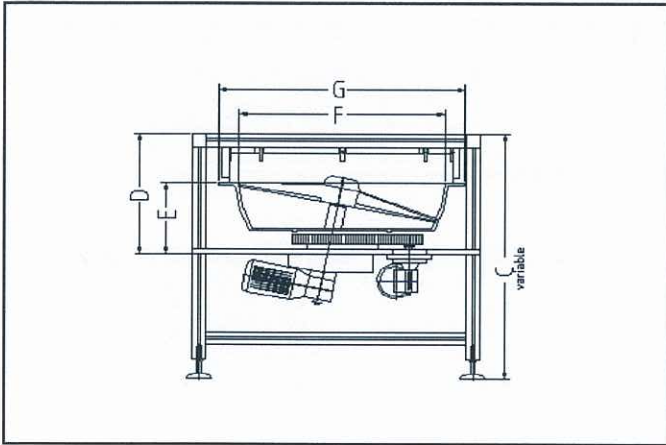
The outlet direction depends on the direction of rotation of the centrifugal feeder.
Direction of rotation: optionally "in clockwise direction" or "against clockwise direction".

Technical set-up:

- Centrifugal pot made of cast, mechanically formed aluminum alloy, hard-coated, on request plated
- Wear-resistant high-grade steel sliding guide for gentle transport of the parts
- Cross-roller bearing to support the centrifuge pot free from backlash
- Gear- and toothed belt transmission for the drive unit of the centrifuge pot with infinitely variable speed
- Centrifuge plate in plastic version or made of cast, mechanically formed aluminum alloy, hard-coated, angle of tilt adjustable
- Needle bearing to support the centrifuge plate free from backlash
- Gear transmission for the drive unit of the centrifuge plate with infinitely variable speed
- Three-phase motors with thermal protection
- Ultrasonic level sensing element as level monitoring
- Locking device ("Flipper") for part return in the case of back-up in the outlet
- Adjustable sort chicaneries
- Frequency converter with digital display for the different speed regulation of the centrifuge pot and -plate
- PLC-control with free inputs and outputs for line-side equipments as well as downstream connected equipments

Standard modules

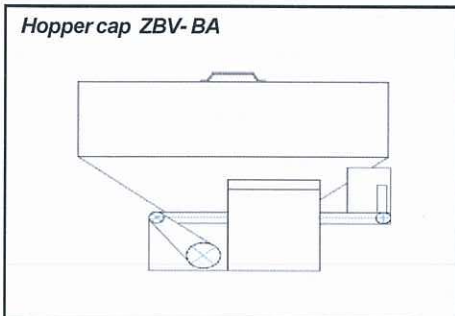
Centrifugal Feeder ZBV-ZF



Dimension table (mm)								Motor data		
Type	A	B	C	D	E	F	G	Type	Connection	Capacity
ZBV-ZF 300	600	600	variable	275	140	300	380	Three-phase with thermal protection	480 V / 60 Hz (230 / 400 V / 50 Hz)	0,12 kW / 0,18 kW
ZBV-ZF 500	760	760	variable	320	165	500	600			0,12 kW / 0,18 kW
ZBV-ZF 625	900	900	variable	350	180	625	745			0,12 kW / 0,18 kW
ZBV-ZF 750	1050	1050	variable	450	280	750	900			0,25 kW / 0,37 kW
ZBV-ZF 1000	1350	1350	variable	500	320	1000	1160			0,37 kW / 0,55 kW

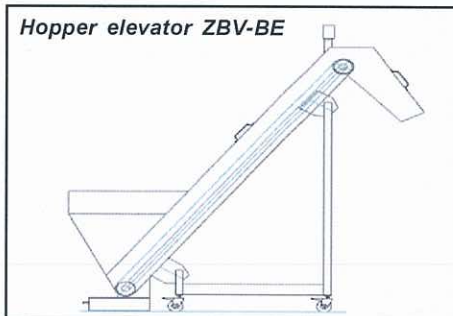
Hopper

Hopper cap ZBV-BA



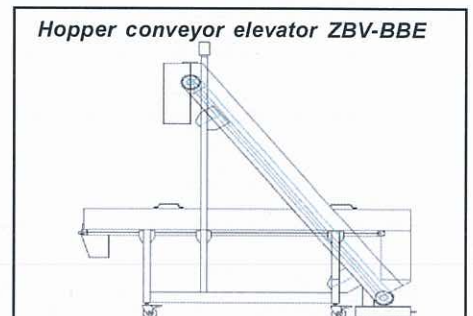
	ZBV-BA 100	ZBV-BA 200
Filling volume	100 l	200 l
Floor space required (mm)	L W H	700 700 500
		on request
Filling height (mm)	1300	
Motor	Three-phase with thermal protection, 480 V / 60 Hz (230 / 400 V / 50 Hz)	
Belt speed	Adjustable by frequency converter ZBV-FU	

Hopper elevator ZBV-BE



	ZBV-BE 500	ZBV-BE 1000
Filling volume	500 l	1000 l
Floor space required (mm)	L W H	2200 1100 2500
		2700 1250 2500
Filling height (mm)	1100	1200
Motor	Three-phase with thermal protection, 480 V / 60 Hz (230 / 400 V / 50 Hz)	
Belt speed	Adjustable by frequency converter ZBV-FU	

Hopper conveyor elevator ZBV-BBE



	ZBV-BBE 500	ZBV-BBE 1000
Filling volume	500 l	1000 l
Floor space required (mm)	L W H	2400 1100 2400
		on request
Filling height (mm)	1200	
Motor	Three-phase with thermal protection, 480 V / 60 Hz (230 / 400 V / 50 Hz)	
Belt speed	Adjustable by frequency converter ZBV-FU	