

ZBV-AUTOMATION
BERSE + ELSAS GmbH
ECHTERNACHER STR. 3
D-53842 TROISDORF



DIN EN ISO 9001:2000



PHONE 0049-(0) 22 41- 9 51 15-0
TELEFAX 0049-(0) 22 41- 9 51 15-95
<http://www.zbv-automation.de>
e-mail: info@zbv-automation.de

Taylor-made solutions

Factory automation

Assembly ♦ Handling ♦ Robotics

Technical Information 406

Palletizing System ZBV-PS



Application:

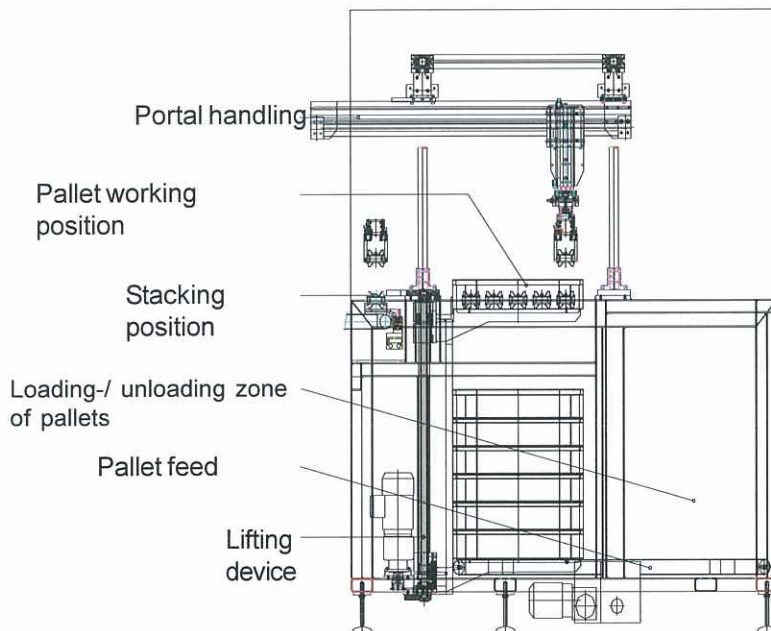
Loading and / or unloading
of pallet piles.

The **ZBV-PS** palletizing system is also
suited for the following use: in the case of
very narrow coordinates of workpiece
positions within the pallets.

Advantages:

- Flexible application possibilities
- Economical standardization
- Modification according to application
- Easy handling

Palletizing System ZBV-PS



The palletizing system was developed as periphery module for flexible manufacturing equipments. The palletizing system is used in a process where correctly-positioned as well as correctly-arranged parts are taken from workpiece carriers or pallets or located onto them. E.g. as buffer system in assembly lines or as intermediate buffer of palletized workpieces between two assembly lines. The palletizing system can be modified according to different pallet variants. The essential modules of the system are:

- Ground frame of machine
- Unit for piling up and piling down
- Portal robot with gripping tongs
- Sequence control of machine (PLC)
- Control of grip arm- and pallet-axis

Technical Data of Standard Design

Degrees of flexibility/working range	x - variable 900 - 2000 mm y - 500 m z - dependent on pallet
Travel speed	max. 0.8 m/sec.
Cycle time	min. 4 sec.
Drive	x - y - servo axes z - pneumatic
Power supply capacity	electric: 2.5 kW, pneumatic: 5 bar
Operating voltage	400 V, 50 Hz
Positioning accuracy	± 0.1 mm
Repetition accuracy	± 0.02 mm
Manageable weight at V _{max} .	500 g
Pallet size	(Standard) 400 x 600 mm
Control system:	
Storage capacity	(Standard) x/y 40 x 40 mm - loading-/ removal positions
Programme input	Teach-In or keyboard
Dimensions	Control cabinet 800 x 400 x 2000 mm Pallet device 2200 x 2400 x 2200 mm